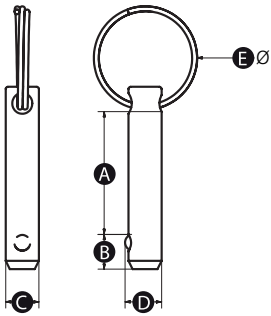


Material

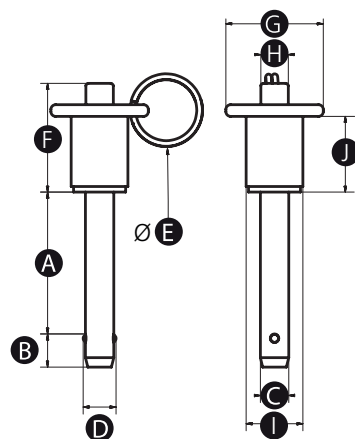
Stainless steel 304



Part No.	A	B	C	D	E
16411Q	15	7	6	6.5	25
16412X	20	7	6	6.5	25
16413T	30	7	6	6.5	25
16414P	40	7	6	6.5	25
16415W	30	8	8	8.8	25
16416S	40	8	8	8.8	25
16417Z	50	8	8	8.8	25

Material

Stainless steel 304



Part No.	A	B	C	D	E	F	G	H	I	J
16418V	10	6	5	5.5	15	23.4	20.6	5.8	11.9	16
16419R	15	6	5	5.5	15	23.4	20.6	5.8	11.9	16
16420Y	20	6	5	5.5	15	23.4	20.6	5.8	11.9	16
16421U	25	6	5	5.5	15	23.4	20.6	5.8	11.9	16
16422Q	30	6	5	5.5	15	23.4	20.6	5.8	11.9	16
16423X	20	7	6	7	15	23.4	20.6	5.8	11.9	16
16424T	30	7	6	7	15	23.4	20.6	5.8	11.9	16
16425P	40	7	6	7	15	23.4	20.6	5.8	11.9	16
16426W	50	7	6	7	15	23.4	20.6	5.8	11.9	16
16427S	20	8	8	9.4	15	23.4	20.6	5.8	11.9	16
16428Z	30	8	8	9.4	15	23.4	20.6	5.8	11.9	16
16429V	40	8	8	9.4	15	23.4	20.6	5.8	11.9	16
16430R	50	8	8	9.4	15	23.4	20.6	5.8	11.9	16
16431Y	20	8	10	11.9	15	25.7	25.4	7.4	14.2	17.8
16432U	30	9	10	11.9	15	25.7	25.4	7.4	14.2	17.8
16433Q	40	9	10	11.9	15	25.7	25.4	7.4	14.2	17.8

Continued overleaf »

« Continued from overleaf

Part No.	A	B	C	D	E	F	G	H	I	J
16434X	50	9	10	11.9	15	25.7	25.4	7.4	14.2	17.8
16435T	60	9	10	11.9	15	25.7	25.4	7.4	14.2	17.8
16436P	20	10	12	14.5	15	32.3	34.7	10.7	18.3	21.6
16437W	30	10	12	14.5	15	32.3	34.7	10.7	18.3	21.6
16438S	40	10	12	14.5	15	32.3	34.7	10.7	18.3	21.6
16439Z	50	10	12	14.5	15	32.3	34.7	10.7	18.3	21.6
16440V	60	10	12	14.5	15	32.3	34.7	10.7	18.3	21.6
16441R	70	10	12	14.5	15	32.3	34.7	10.7	18.3	21.6
16442Y	80	10	12	14.5	15	32.3	34.7	10.7	18.3	21.6
16443U	30	14	16	19	15	41.9	44.5	13.7	23.9	27.9
16444Q	40	14	16	19	15	41.9	44.5	13.7	23.9	27.9
16445X	50	14	16	19	15	41.9	44.5	13.7	23.9	27.9
16446T	60	14	16	19	15	41.9	44.5	13.7	23.9	27.9
16447P	70	14	16	19	15	41.9	44.5	13.7	23.9	27.9
16448W	80	14	16	19	15	41.9	44.5	13.7	23.9	27.9

A large grid of graph paper for taking notes, consisting of 20 columns and 40 rows of small squares.